

FASCINATION CEILING FAN



Brushed Chrome

Installation Locations:

Indoor

Recommended Height:

There should be at least 2.1m between the lowest point of the fan blades and the floor.

Top of canopy cover to lowest point of the fan:

Approximately 338mm (including light)

Motor:

16 Pole, 188mm x 15mm motor
Made with high grade copper windings and silicone steel stator. Bearings are sealed to ensure quiet operation and long life.

Motor Housing:

Materials: Die-Cast Aluminium motor body
Pressed steel canopy

Available Colours :

Brushed Chrome

Blades:

Sizes: 1320mm (52")
Materials: Plastic
Blade Pitch: 13°

Available Blade Colours:

Silver and Koa

Extra Information:

Introduced into the HPI range in 2015
3 Speed wall controller
17W LED light supplied
Reversible

Standard Canopy Cover:

Suitable for flat and pitched ceilings up to 28°

Wall Controller Speed Capacitor Values:

2µF & 3µF

Rotational Diameter:

1320mm (52") blade sweep

Ceiling to top side of the blade:

Approximately 207mm

Weight Including Packaging:

Complete fan (included light fitting): 10.28kg

Packaging Dimensions (cm):

Complete Fan: 81.5L x 60W x 18H

Accessories (Supplied separately):

Remote Control
Extension Down Rod 26mm diameter
45° Ceiling Kit (for pitched ceilings)
T-Hook for ceiling roses

Warranty

2 years "in home" covering major defects
3 Years additional covering motor only (not labour)
Lights -1 year "in home" covering major defects

Airflow and Efficiency:

Airflow measured in Australia using the "Energy Star Solid-State Test Method", the only test method recognised for USA Energy Star compliance.

	HIGH	MED	LOW
RPMS	202	152	100
WATTS	60	38.40	20.60
AIRFLOW[^]: USA-ES (CFM) / AUS(CFM)	6513 / 11066	4701 / 7987	3074 / 5223
EFFICIENCY[^]: USA-ES / AUS-ES	109 / 184	122 / 208	149 / 254

[^] Efficiency measured as airflow rate per watt.

For full warranty details please see Hunter Pacific International's website www.hunterpacific.com.au

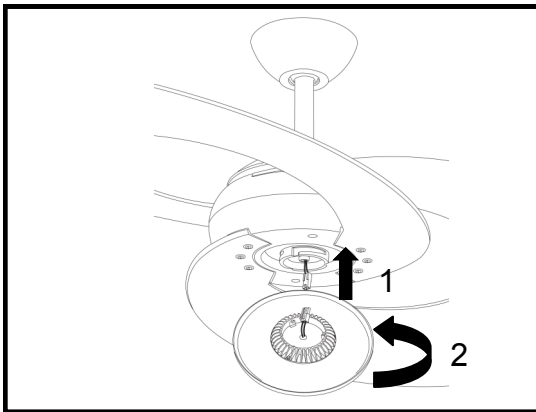
CEILING FAN LIGHTING - SUITABLE FOR INSTALLATION WITH FASCINATION



LED 17W 3000K



Simple Click-On design



^ All light kits must be installed by a licensed electrician. For further information about correct installation procedures, please see www.hunterpacific.com.au

For full warranty details please see Hunter Pacific International's website www.hunterpacific.com.au