

# REZIN CEILING FAN



Resin Bronze

**Installation Locations:**

Indoor and outdoor (provided the fan is fully undercover)

**Recommended Height:**

There should be at least 2.1m between the lowest point of the fan blades and the floor.

**Top of canopy cover to lowest point of the fan:**

Approximately 344mm

**Motor:**

16 Pole, 153mm x 17mm motor  
Made with high grade copper windings and silicone steel stator. Bearings are sealed to ensure quiet operation and long life.

**Motor Housing:**

Materials: Polymer resin

**Available Colours :**

Resin Bronze

**Blades:**

Sizes: 1320mm (52")  
Materials: Plastic  
Blade Pitch: 12°

**Available Blade Colours:**

Matched to body

**Extra Information:**

Introduced into the HPI range in 2014  
3 Speed wall controller  
Light Adaptable  
Reversible

**Standard Canopy Cover:**

Suitable for flat and pitched ceilings up to 28°

**Wall Controller Speed Capacitor Values:**

2µF & 3.5µF

**Rotational Diameter:**

1320mm (52") blade sweep

**Ceiling to top side of the blade:**

Approximately 310mm

**Weight Including Packaging:**

Complete fan: 7.9kg  
Light Fitting: 0.28kg

**Packaging Dimensions (cm):**

Complete Fan: 54L x 33W x 24.5H

**Accessories (Supplied separately):**

Remote Control  
Extension Down Rod 26mm diameter  
45° Ceiling Kit (for pitched ceilings)  
T-Hook for ceiling roses  
17W LED Light

**Warranty**

2 years "in home" covering major defects  
3 Years additional covering motor only (not labour)  
Lights -1 year "in home" covering major defects

**Airflow and Efficiency:**

Airflow measured in Australia using the "Energy Star Solid-State Test Method", the only test method recognised for USA Energy Star compliance.

	HIGH	MED	LOW
<b>RPMS</b>	<b>191</b>	<b>135</b>	<b>91</b>
<b>WATTS</b>	<b>62.70</b>	<b>34.30</b>	<b>16.20</b>
<b>AIRFLOW<sup>^</sup>: USA-ES (CFM) / AUS(CMH)</b>	<b>5873 / 9978</b>	<b>3976 / 6755</b>	<b>2648 / 4499</b>
<b>EFFICIENCY<sup>^</sup>: USA-ES / AUS-ES</b>	<b>94 / 159</b>	<b>116 / 197</b>	<b>163 / 278</b>

<sup>^</sup> Efficiency measured as airflow rate per watt.

# For full warranty details please see Hunter Pacific International's website [www.hunterpacific.com.au](http://www.hunterpacific.com.au)

# CEILING FAN LIGHTING - SUITABLE FOR INSTALLATION WITH REZIN



## **LED 17W 3000K**

### **Packaging Dimensions:**

Inner box: 14L x 14W x 4.7H cm

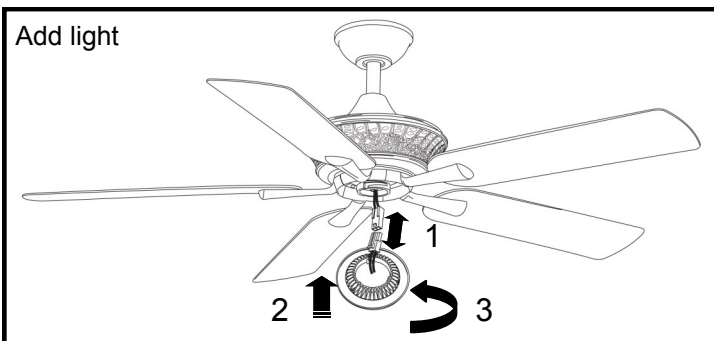
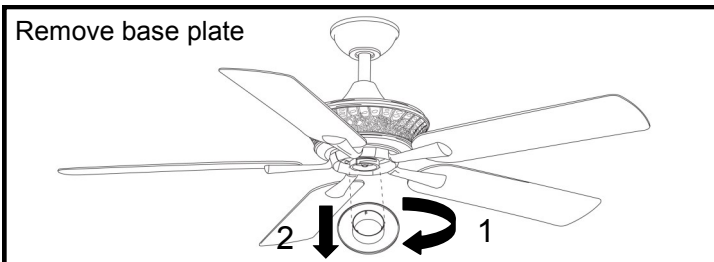
Inner box weight: 0.28kgs

Outer carton (6pcs) : 30L x 24.5W x 16H cm

Outer carton weight (10pcs): 3.11kgs



### Simple Click-On design



^ All light kits must be installed by a licensed electrician. For further information about correct installation procedures, please see [www.hunterpacific.com.au](http://www.hunterpacific.com.au)

# For full warranty details please see Hunter Pacific International's website [www.hunterpacific.com.au](http://www.hunterpacific.com.au)