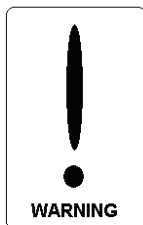
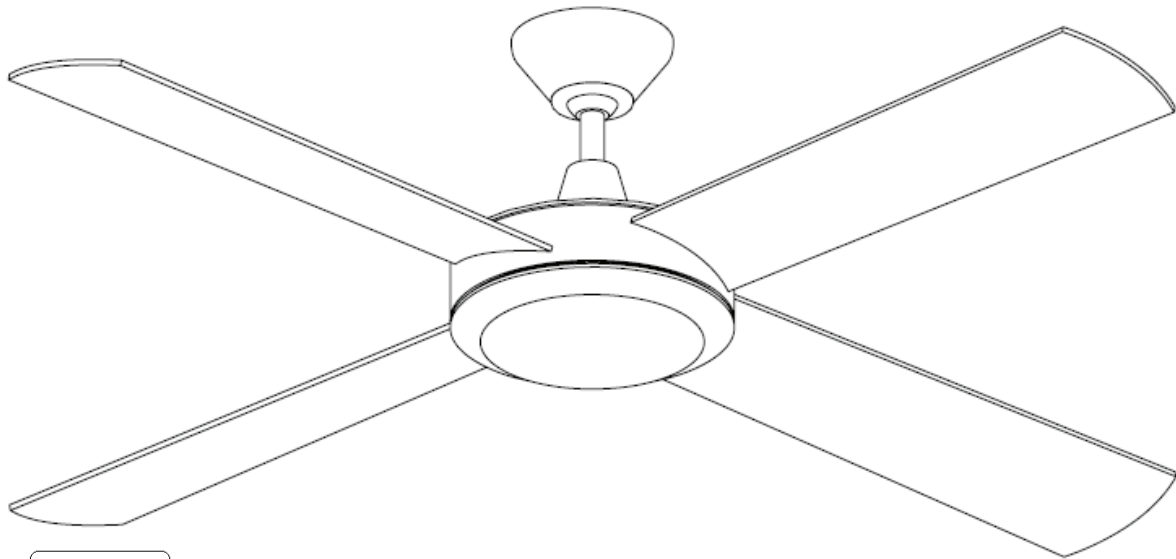


Concept



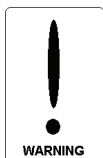
CEILING FAN MUST BE INSTALLED BY A LICENSED ELECTRICIAN

(NO OTHER PERSONS SHOULD ATTEMPT TO INSTALL THIS FAN)

*Electricians are recommended to tick off all items on the quick checklist and fill out their details onto the back page of the Fan Owner Warranty & Operations Manual after installation

ELECTRICIANS - TO PROTECT YOUR CUSTOMER'S WARRANTY, PLEASE READ PAGE 2 OF THIS BOOKLET PRIOR TO THE INSTALLATION OF THIS PRODUCT.

National Warranty Line 1300 360 280



1. **Do not** attempt to operate the fan (or optional light kit) with any wall control that is not approved by Hunter Pacific for use with its fans. DO NOT use solid state controllers. The use of unapproved controllers will void your warranty.
2. **Do not** mix blade sets from one fan to another as this may upset the balance of the fan. If

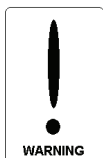
IMPORTANT INFORMATION
ELECTRICIANS MUST READ PRIOR TO INSTALLATION

1. Distributor and installer details and purchase receipts are essential for on-site warranty claims and must be presented to repair personnel, make sure you record your details in the Fan Owner Warranty and Operations Manual.
2. Fans and fixed wiring products must only be installed by persons who are appropriately licensed by the applicable State regulatory body. Therefore, to protect our repair personnel, on-site warranty claims will not be accepted if products have been installed by unlicensed persons.
3. Damage caused by incorrect installation, force-majeure, electrical surges, lightning, power grid fluctuations, water or by connection to alternative power supply sources (such as solar inverters, etc.) is not eligible for warranty repair.
4. Blades must be replaced only as a complete set. Blades are supplied only as a pre-balanced set and the replacement of individual blades may void the warranty by causing mechanical damage to the motor, excessive noise or premature wear.
5. When products are installed in a location requiring special access equipment (such as scaffolding or scissor lifts, etc) the cost of providing, installing and operating special access equipment must be borne by the site owner.

For safety, and to protect your customers warranty, the following must be taken into account when installing and operating the product(s):

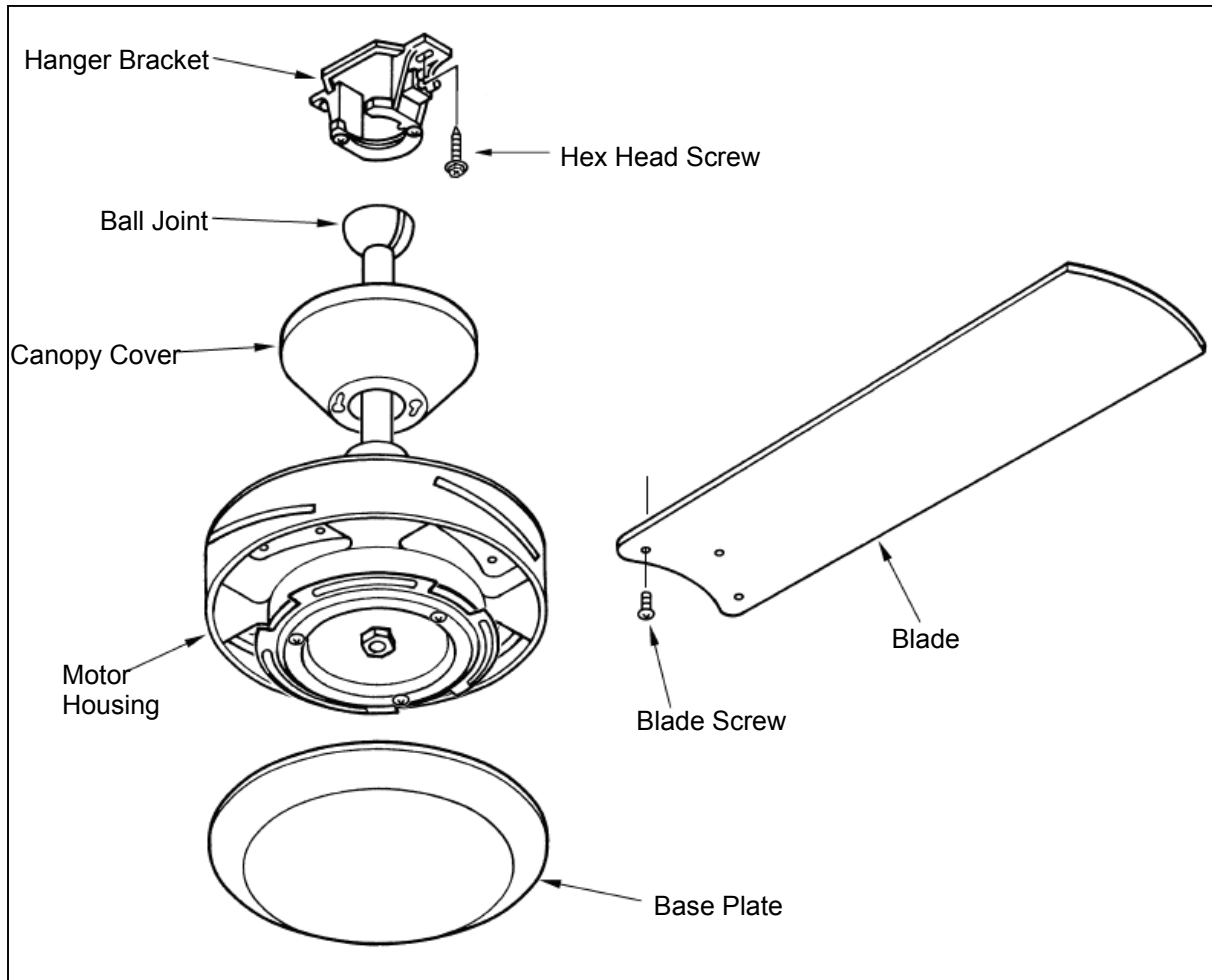
- | |
|--|
| <ol style="list-style-type: none">(a) <u>DO NOT USE SOLID-STATE WALL CONTROLLERS.</u> Neither leading nor lagging edge controllers will give satisfactory performance. Wall controls must only be types approved for use by Hunter Pacific International.(b) The fan, light and bracket must be earthed.(c) Fan and light must be run from the same final circuit.(d) Mounting bracket must be firmly screwed to a solid structure such as a concrete ceiling, steel structure or timber framing. If additional bracing is added it must be firmly secured to the rafters and not left floating on the ceiling. Special mounts, such as T-hooks, are available for certain types of installation.(e) After installation, fan blades must be at least 2.1 m (7 feet) above floor level.(f) The use of these products by children and the infirm must be under supervision. |
|--|

IF THERE ARE ANY PROBLEMS WITH THE PRODUCT AT TIME OF INSTALLATION THE INSTALLER MUST CONTACT THE WARRANTY HOT LINE NUMBER 1300 360 280. BEFORE LEAVING THE JOB SITE. PLEASE DO NOT REMOVE THE FAN FROM THE CEILING ONCE INSTALLED UNLESS INSTRUCTED TO DO SO.



1. **Do not** attempt to operate the fan (or optional light kit) with any wall control that is not approved by Hunter Pacific for use with its fans. DO NOT use solid state controllers. The use of unapproved controllers will void your warranty.
2. **Do not** mix blade sets from one fan to another as this may upset the balance of the fan. If only one blade is damaged you are still required to replace with a new set.

Parts List



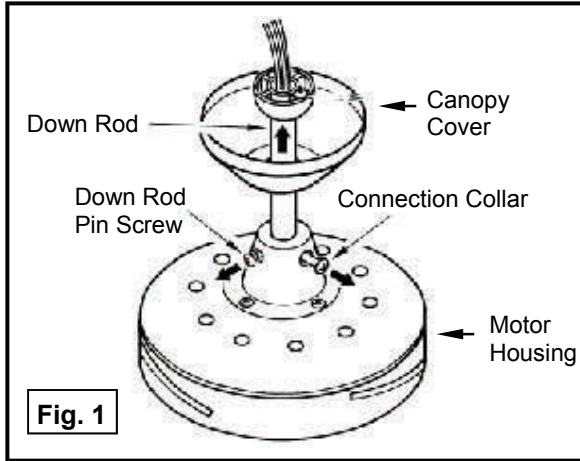
Concept 2 Ceiling Fan Parts List

Part	Qty	Part	Qty	Part	Qty
Blades	4	Base Plate	1	Canopy Cover Screws	2
Blade Screws	12	HPI Wall Controller	1	Canopy Cover	1
Blade Washers	12	Hanger Bracket	1	Motor Housing	1
Wall Speed Capacitor	1	Hex Head Screw	2		
Ball Joint	1	15cm Down Rod	1	Reversing Switch Cover	1
Ball Joint Screw	1	Down Rod Pin Screw	1	(these parts come preassembled)	
Ball Joint Pin	1	Down Rod Short Screw	1		



- Do not** attempt to operate the fan (or optional light kit) with any wall control that is not approved by Hunter Pacific for use with its fans. DO NOT use solid state controllers. The use of unapproved controllers will void your warranty.
- Do not** mix blade sets from one fan to another as this may upset the balance of the fan. If only one blade is damaged you are still required to replace with a new set.

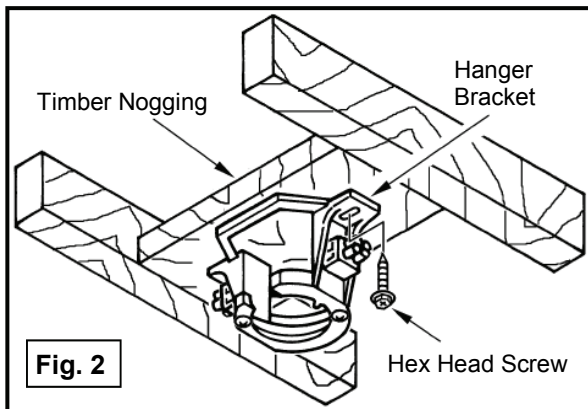
Assembling the fan



STEP 1 (Fig. 1)

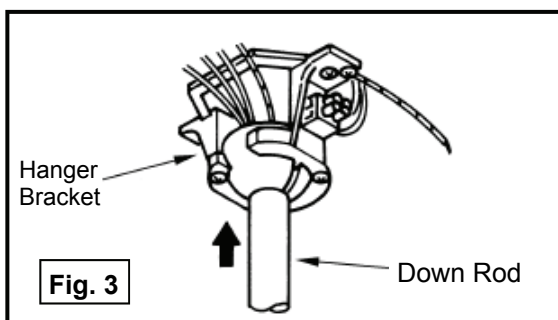
PERFORM THIS STEP IF THE WIRES HAVE NOT BEEN FED THROUGH THE DOWN ROD.

- a) Loosen the ball joint screw and remove the ball joint pin to separate the down rod from the ball joint.
- b) Feed wires from motor housing up and through the down rod.
- c) Insert the down rod pin screw through the connection collar and the down rod (avoid pinching wires). Tighten down rod pin screw. Secure down rod with the other shorter down rod screw provided.
- d) Slide on canopy cover, refit the ball joint and tighten grub screw.



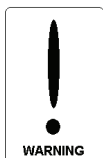
STEP 2 (Fig. 2)

- a) Drill a hole in the timber nogging for wiring.
- b) Secure the hanger bracket onto the timber nogging, using the two hex head screws provided. The timber nogging should be supplied by the installing electrician and must be supported between the two ceiling joists as shown in the diagram above.



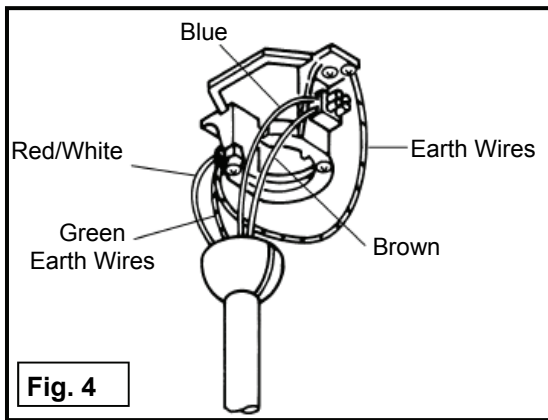
STEP 3 (Fig. 3)

- a) Check if the ball joint grub screw is tight.
- b) Hang the ball joint into the hanger bracket. Ensure the groove on the hanger bracket is locked into the slot on the ball joint. (This is important to ensure the fan will not wobble and the weight of the fan is supported).



1. **Do not** attempt to operate the fan (or optional light kit) with any wall control that is not approved by Hunter Pacific for use with its fans. DO NOT use solid state controllers. The use of unapproved controllers will void your warranty.
2. **Do not** mix blade sets from one fan to another as this may upset the balance of the fan. If only one blade is damaged you are still required to replace with a new set.

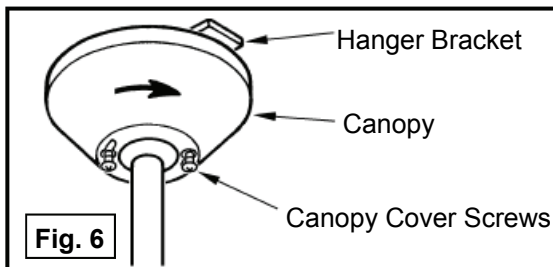
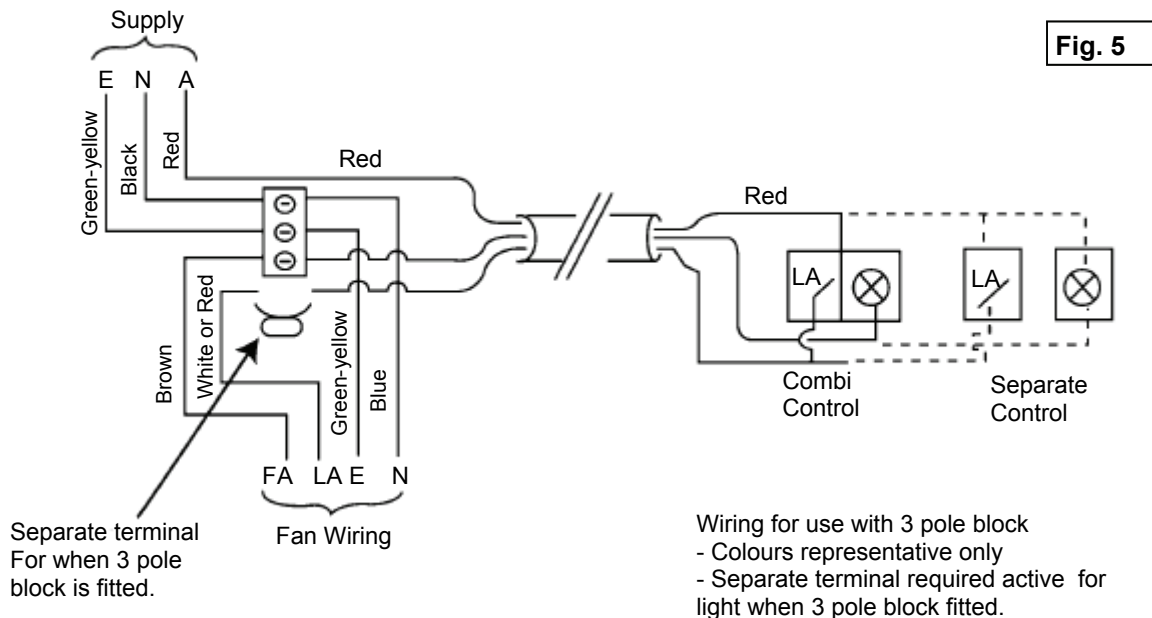
(Assembling the fan)



STEP 4 (Fig 4 & 5)

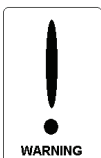
- a) Connect wires from the fan to wires in the ceiling via the terminal block on the hanger bracket (refer to figure 4 and 5).
- b) Make sure earth wires are also connected.
- c) Connect light wires (red/white) if a light fitting is going to be used. (Cap seal light wires if a light fitting is not going to be used).

Wiring Instructions (with and without accessory light)



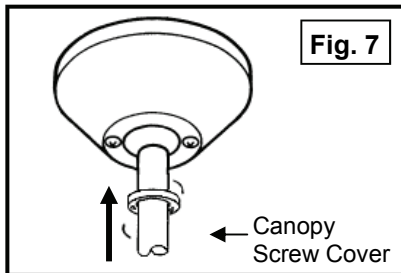
STEP 5 (Fig 6)

- a) Slide canopy cover up and over the hanger bracket.
- b) Loosen the canopy to locate screws holes then loosen canopy screws half way.
- c) Now twist the canopy cover in the opposite direction and fully tighten screws until the canopy cover is stabilized.



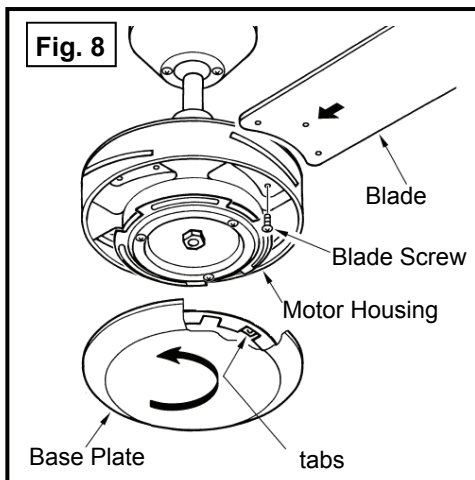
1. **Do not** attempt to operate the fan (or optional light kit) with any wall control that is not approved by Hunter Pacific for use with its fans. DO NOT use solid state controllers. The use of unapproved controllers will void your warranty.
2. **Do not** mix blade sets from one fan to another as this may upset the balance of the fan. If only one blade is damaged you are still required to replace with a new set.

Assembling the fan



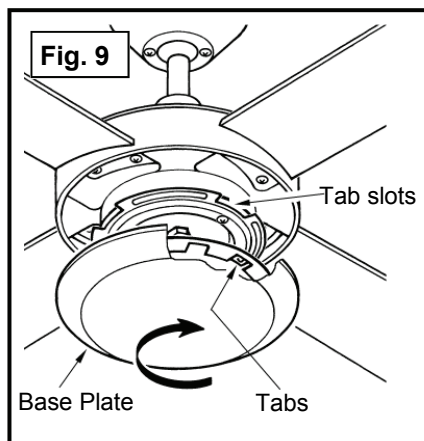
STEP 6 (Fig 7)- Concept 2 fan ONLY

Move the canopy screw cover upwards towards the canopy and turn it to secure the cover onto the screw heads.



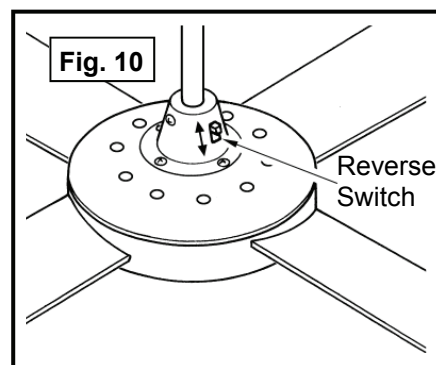
STEP 7 (Fig 8)

- Push the base plate upwards and turn until the tabs unlock to remove it.
- Once the base plate is removed, the internal blade carriers will be exposed. Insert blades and attach them to the motor housing as shown in figure 8.
- Tighten the 3 blade screws firmly but do not over tighten.
- Install blades for each fan individually, do not mix blades from different fans as this will up set the balance of the fan.



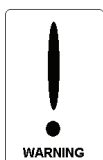
STEP 8 (Fig. 9)

a) Once all blades are attached to the motor housing, refit the base plate. The tabs should lock in to place ensuring the base plate is securely attached to the motor



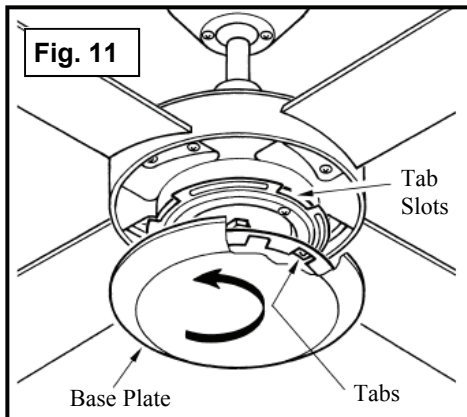
STEP 9 (Fig. 10)

- Reverse switch should be in the down position for Summer (fan spins anticlockwise) and in the up position for Winter (fan spins clockwise).
- Make the sure reverse switch is not stuck in its neutral position otherwise the fan will not spin.



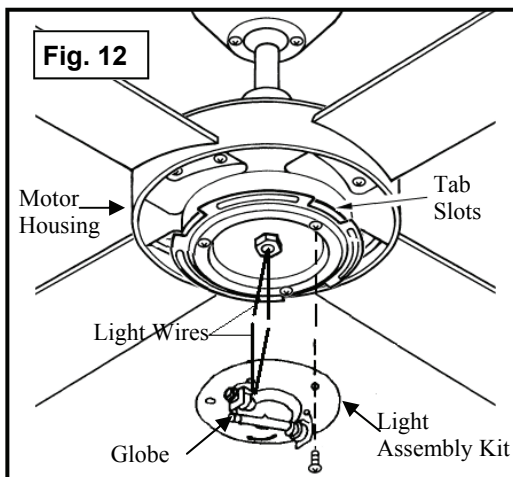
- Do not** attempt to operate the fan (or optional light kit) with any wall control that is not approved by Hunter Pacific for use with its fans. DO NOT use solid state controllers. The use of unapproved controllers will void your warranty.
- Do not** mix blade sets from one fan to another as this may upset the balance of the fan. If only one blade is damaged you are still required to replace with a new set.

Attaching a Concept light kit - 78mm halogen light (MAX 100W)



STEP 1 (Fig. 11)

Push the base plate upwards and turn until the tabs unlock to remove it.



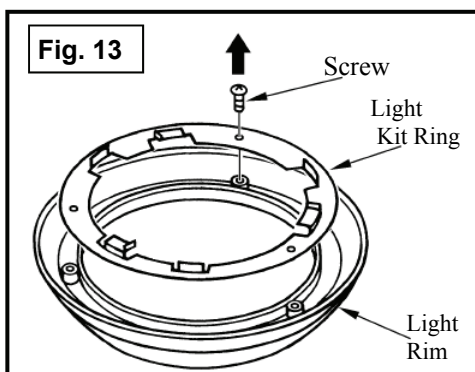
STEP 2 (Fig. 12)

a) Use the connectors to attach the light wires from the motor housing to the light wires on the light assembly.

b) Secure the light assembly kit using the 3 screws provided.

c) Plug the light globe into the socket. **DO NOT touch the light globe with your fingers, use a tissue or a clean cloth.** It is extremely important to keep the globe clean. If the globe is dirty, clean it carefully with a cloth or tissue. Dirt on the globe will cause it to fail almost immediately.

NOTE: Do not use globes other than the specified ones.

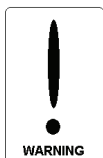


STEP 3 (Fig. 13) - Concept 2 fan ONLY (pre Nov 2008 Only)

a) Remove the screws attached to the light rim.

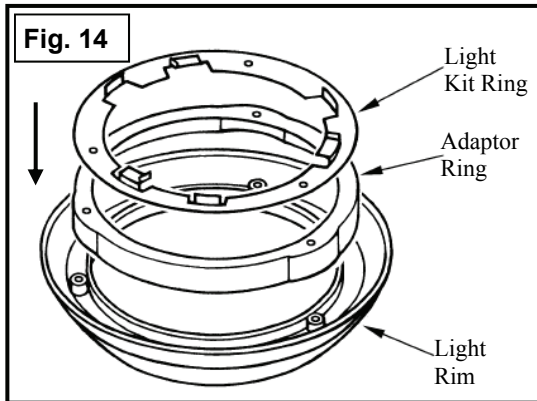
b) Remove the light kit ring from the light rim.

P.S . Adaptor ring not required for New Concept 1 or New Concept 2 (Nov 2008)

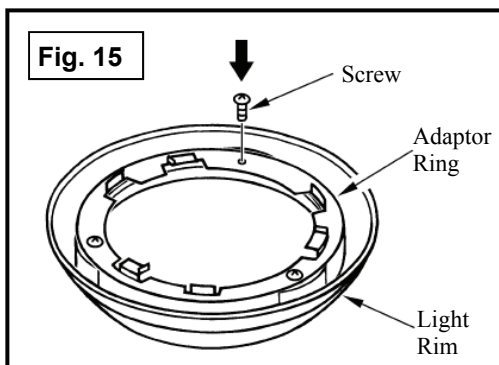


1. **Do not** attempt to operate the fan (or optional light kit) with any wall control that is not approved by Hunter Pacific for use with its fans. **DO NOT** use solid state controllers. The use of unapproved controllers will void your warranty.
2. **Do not** mix blade sets from one fan to another as this may upset the balance of the fan. If only one blade is damaged you are still required to replace with a new set.

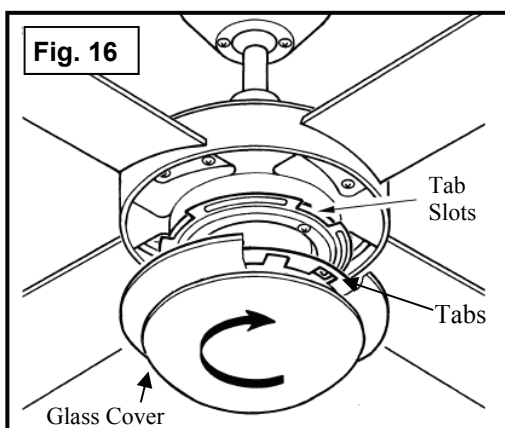
Attaching a Concept light kit - 78mm halogen light (MAX 100W)



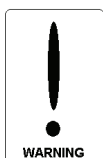
STEP 4 (Fig. 14) - Concept 2 fan ONLY
a) Place the adaptor ring on the light rim.
b) Place the light kit ring on the adaptor ring.



STEP 5 (Fig. 15) - Concept 2 fan ONLY
Use screws to attach the light ring and adaptor ring firmly to the light rim.

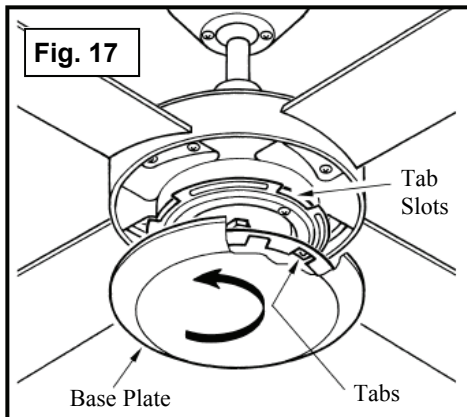


STEP 6 (Fig. 16)
a) Once globe is placed into its socket properly, the glass cover can be fitted on to the fan.
b) Gently push the glass cover upwards and turn it. The tabs should lock in to place ensuring the glass cover is securely attached to the motor housing.



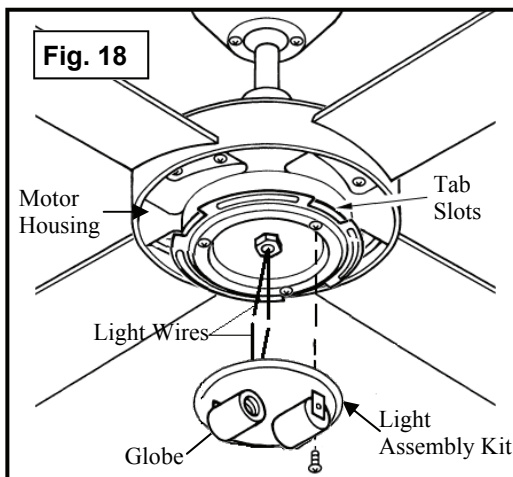
1. **Do not** attempt to operate the fan (or optional light kit) with any wall control that is not approved by Hunter Pacific for use with its fans. DO NOT use solid state controllers. The use of unapproved controllers will void your warranty.
2. **Do not** mix blade sets from one fan to another as this may upset the balance of the fan. If only one blade is damaged you are still required to replace with a new set.

Attaching a Concept light kit - E14 light (2x40W)



STEP 1 (Fig. 17)

Push the base plate upwards and turn until the tabs unlock to remove it.

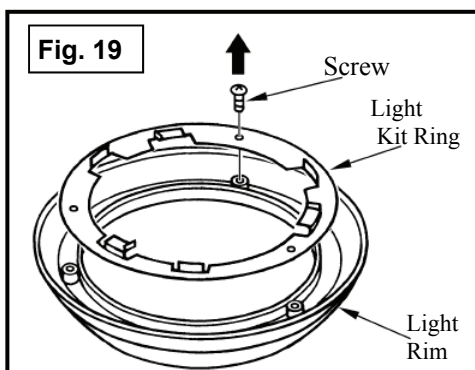


STEP 2 (Fig. 18)

a) Use the connectors to attach the light wires from the motor housing to the light wires on the light assembly.

b) Secure the light assembly kit using the 3 screws provided.

c) Install light globes into the light sockets.

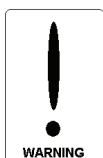


STEP 3 (Fig. 19) - Concept 2 fan ONLY (pre Nov 2008 Only)

a) Remove the screws attached to the light rim.

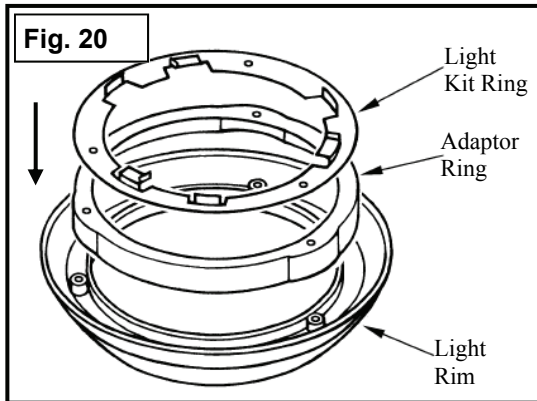
b) Remove the light kit ring from the light rim.

P.S . Adaptor ring not required for New Concept 1 or New Concept 2 (Nov 2008)

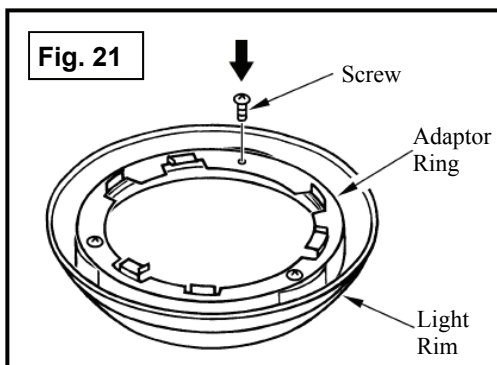


1. **Do not** attempt to operate the fan (or optional light kit) with any wall control that is not approved by Hunter Pacific for use with its fans. DO NOT use solid state controllers. The use of unapproved controllers will void your warranty.
2. **Do not** mix blade sets from one fan to another as this may upset the balance of the fan. If only one blade is damaged you are still required to replace with a new set.

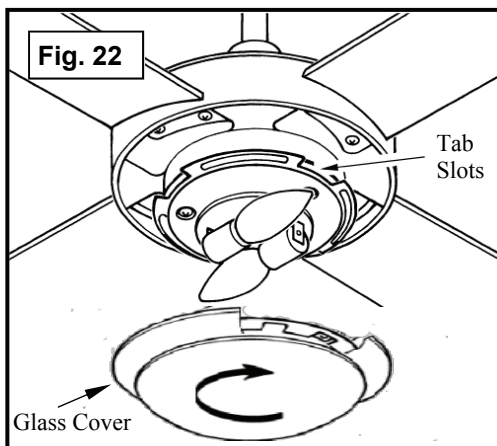
Attaching a Concept light kit - E14 light (2x40W)



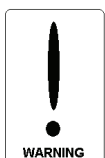
STEP 4 (Fig. 20) - Concept 2 fan ONLY
a) Place the adaptor ring on the light rim.
b) Place the light kit ring on the adaptor ring.



STEP 5 (Fig. 21) - Concept 2 fan ONLY
Use screws to attach the light ring and adaptor ring firmly to the light rim.

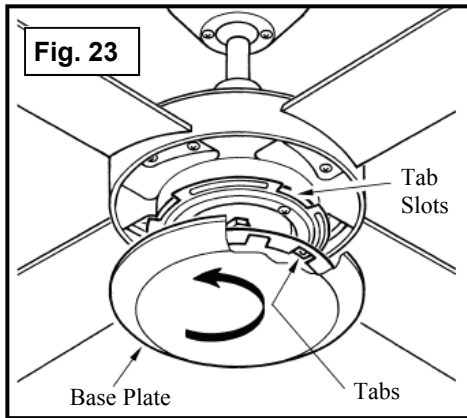


STEP 6 (Fig. 22)
a) Once globes are installed, the glass cover can be fitted on to the fan.
b) Gently push the glass cover upwards and turn it. The tabs should lock in to place ensuring the glass cover is securely attached to the motor housing.



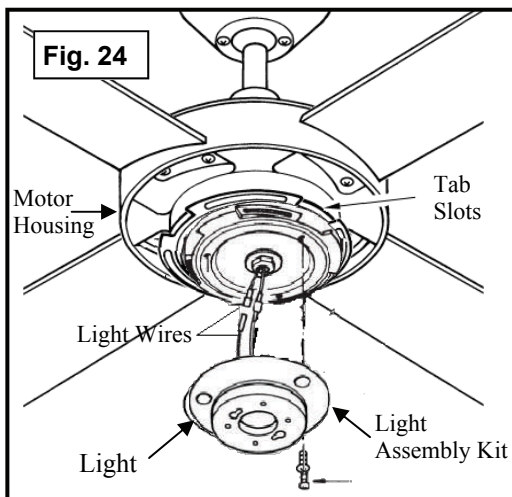
1. **Do not** attempt to operate the fan (or optional light kit) with any wall control that is not approved by Hunter Pacific for use with its fans. DO NOT use solid state controllers. The use of unapproved controllers will void your warranty.
2. **Do not** mix blade sets from one fan to another as this may upset the balance of the fan. If only one blade is damaged you are still required to replace with a new set.

Attaching a Concept light kit - GX53M 14W compact fluorescent light



STEP 1 (Fig. 23)

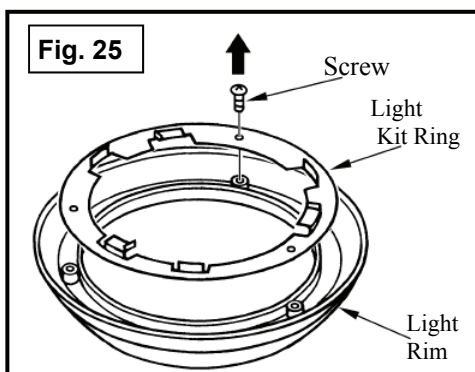
Push the base plate upwards and turn until the tabs unlock to remove it.



STEP 2 (Fig. 24)

a) Use the connectors to attach the light wires from the motor housing to the light wires on the light assembly.

b) Secure the light assembly kit using the 3 screws provided.

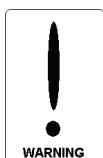


STEP 3 (Fig. 25) - Concept 2 fan ONLY (pre Nov 2008 Only)

a) Remove the screws attached to the light rim.

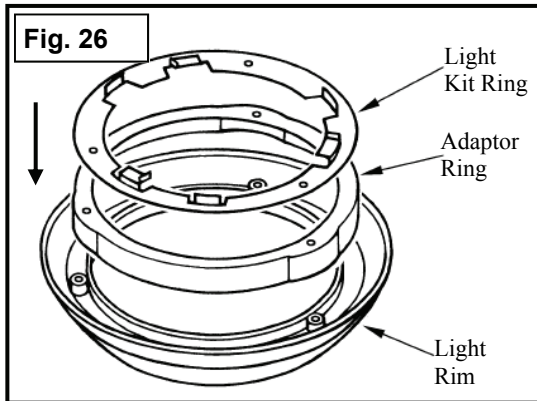
b) Remove the light kit ring from the light rim.

P.S . Adaptor ring not required for New Concept 1 or New Concept 2 (Nov 2008)

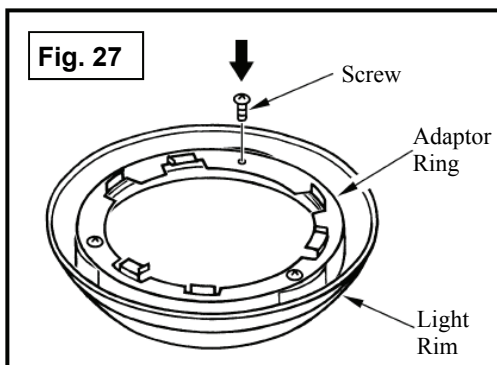


1. **Do not** attempt to operate the fan (or optional light kit) with any wall control that is not approved by Hunter Pacific for use with its fans. DO NOT use solid state controllers. The use of unapproved controllers will void your warranty.
2. **Do not** mix blade sets from one fan to another as this may upset the balance of the fan. If only one blade is damaged you are still required to replace with a new set.

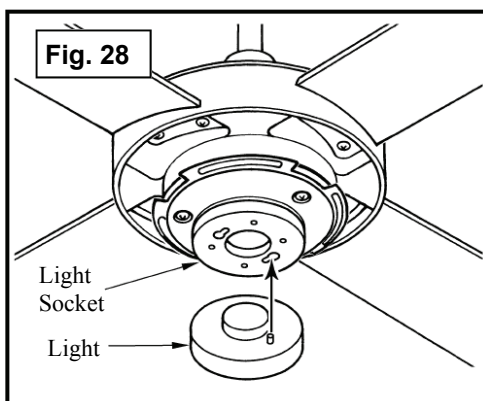
Attaching a Concept light kit - GX53M 14W compact fluorescent light



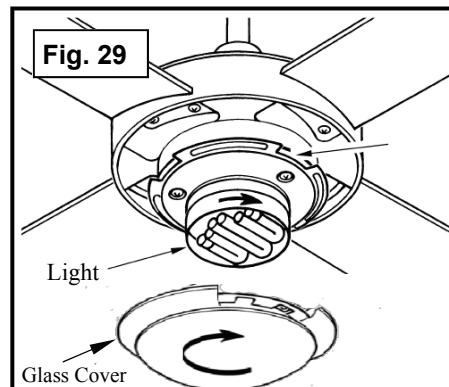
STEP 4 (Fig. 26) - Concept 2 fan ONLY
a) Place the adaptor ring on the light rim.
b) Place the light kit ring on the adaptor ring.



STEP 5 (Fig. 27) - Concept 2 fan ONLY
Use screws to attach the light ring and adaptor ring firmly to the light rim.



STEP 6 (Fig. 28)
Fit the compact fluorescent light to the light socket and rotate to secure in place.

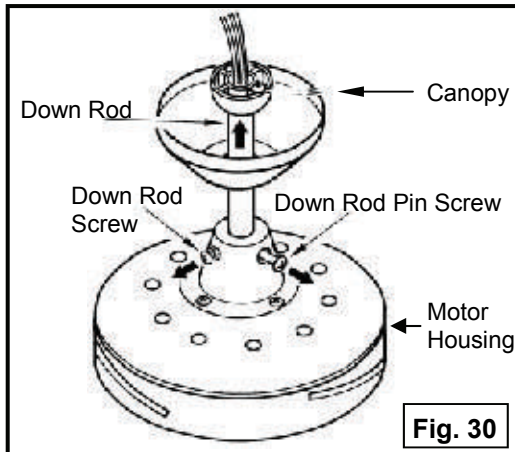


STEP 7 (Fig. 29)
Gently push the glass cover upwards and turn it. The tabs should lock in to place ensuring the glass cover is securely attached to the motor housing.



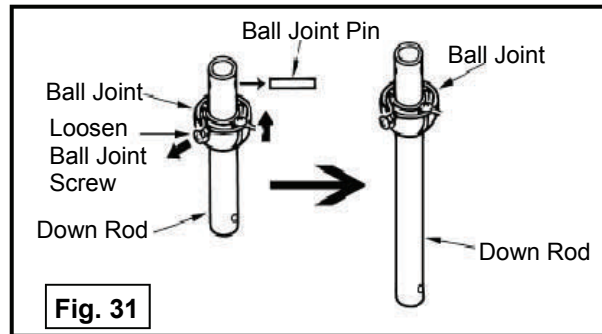
1. **Do not** attempt to operate the fan (or optional light kit) with any wall control that is not approved by Hunter Pacific for use with its fans. DO NOT use solid state controllers. The use of unapproved controllers will void your warranty.
2. **Do not** mix blade sets from one fan to another as this may upset the balance of the fan. If only one blade is damaged you are still required to replace with a new set.

Attaching an extension rod - Hunter Pacific rods to be used ONLY



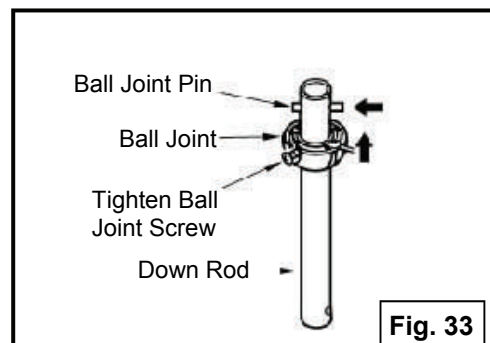
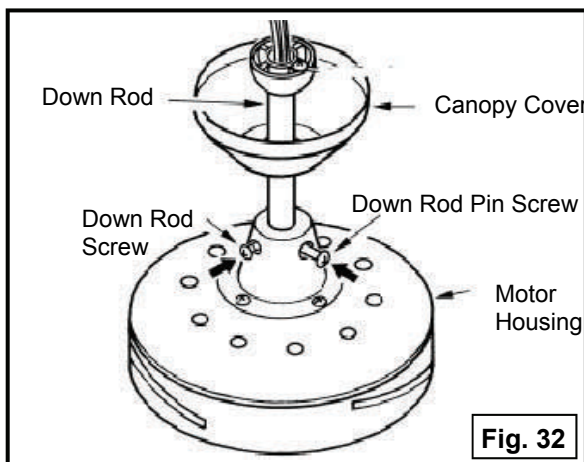
Step 1 (Fig. 30)

Loosen the down rod screws then unscrew and remove the down rod pin screw to remove the standard down rod from the motor housing.



Step 2 (Fig. 31)

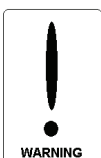
Loosen the ball joint screw, take out the ball joint pin and remove the ball joint. Then slide off the canopy cover and canopy screw cover (concept 2 only)



Step 3 (Fig. 32 & 33)

Now install the extension rod and reverse step 1 & 2 to secure the rod to the fan and the ball joint.

NOTE: If the extension rod needs to be shortened, cut the rod to the required length and drill the appropriate hole size to fit the ball joint pin. The cut end of the rod should be used on the ball joint end only. When installing a 1.8m extension rod the wiring will need to be extended and joined. This should be done using crimp style connectors.



1. **Do not** attempt to operate the fan (or optional light kit) with any wall control that is not approved by Hunter Pacific for use with its fans. DO NOT use solid state controllers. The use of unapproved controllers will void your warranty.
2. **Do not** mix blade sets from one fan to another as this may upset the balance of the fan. If only one blade is damaged you are still required to replace with a new set.

Trouble Shooting Tips - Fan

Fan will not start

- Check that the reversing switch is pushed fully into its Summer or Winter position.
- Check wire connections in the wall switch and terminal blocks, ensure all wires are making proper contact.
- If it is a Typhoon fan, check and ensure the reversing switch plate under the switch cover is not bent, also check the 3 wires coming from the switch plate are straight. Occasionally the switch plate may get bent during transportation, this allows the switch cover to press against the plate and stop the fan from working.
- If it is a Typhoon fan, check the nine pin plug under the switch cover is properly connected and the colours on the plug are corresponding.
- If it is a Concept fan and it has an external start up capacitor, check that this external capacitor is properly connected.

Fan speed is not corresponding to the wall controller

- Check the speeds on the wall controller has been wired correctly and are making proper contact. Brown = speed 1, Purple= speed 2, Red = speed 3.
- Check wires in the terminal block are connected properly, connection wires should be stripped back at the connection point and unused wires should be sealed and capped off.
- Check that the reversing switch is pushed into its Summer or Winter position.

Fan is not corresponding to the remote control

- Check for flat battery. Make sure the dipswitch settings in the hand piece and the remote receiver for the same fan are corresponding.

Fan is wobbling

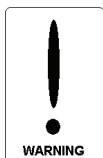
- Check the ball joint slot is locked into the hanger bracket groove.
- Make sure blades are a matching set; the letters on matching sets of blades should be identical with the numbers varying within 3 grams of each other.
- Check blade screws are tightened firmly. If necessary use balancing kit provided to settle the wobble.

Fan is noisy

- Check all screws and parts are secured firmly. Ensure there are no loose parts moving inside the motor housing.
- Make sure the fan is installed with a Hunter Pacific wall controller only, do not use solid state controllers as they can cause unpleasant motor noises.

National Warranty Line 1300 360 280

Monday to Friday from 9am to 5pm EST
Only available within Australia



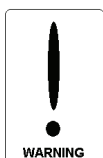
1. **Do not** attempt to operate the fan (or optional light kit) with any wall control that is not approved by Hunter Pacific for use with its fans. DO NOT use solid state controllers. The use of unapproved controllers will void your warranty.
2. **Do not** mix blade sets from one fan to another as this may upset the balance of the fan. If only one blade is damaged you are still required to replace with a new set.

Trouble Shooting Tips - Light

- **Light will not turn on** - Make sure globe has not blown and it is properly fitted between the metal prongs. Check all light wires in the light kit, the terminal block in the canopy cover and the wall switch has been connected together correctly.
- **Light is not responding to remote control**- Make sure globe has not blown and it is properly fitted between the metal prongs. Check all light wires in the light kit, the terminal block in the canopy cover and the wall switch has been connected together correctly. Check dip switch settings in remote hand piece and remote receiver correspond.
- **Light wires appear to be missing or too short** - Wires may be stuck in the motor housing. Carefully pull wires out of the motor housing, careful not to strip the wires as this may cause the fan to short.
- **Light flickers or flashes** - Check globe is secured between the metal prongs in the light kit. Make sure you are using the globes specified.

National Warranty Line 1300 360 280

Monday to Friday from 9am to 5pm EST
Only available within Australia

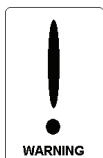


1. **Do not** attempt to operate the fan (or optional light kit) with any wall control that is not approved by Hunter Pacific for use with its fans. DO NOT use solid state controllers. The use of unapproved controllers will void your warranty.
2. **Do not** mix blade sets from one fan to another as this may upset the balance of the fan. If only one blade is damaged you are still required to replace with a new set.

Quick Checklist

Electricians make sure everything on this checklist is ticked off before you leave the installation site. If you have trouble installing our product please refer to the trouble shooting section on the previous page first then phone the Hunter Pacific Warranty Line on 1300 360 280 (open 9am to 5pm EST). DO NOT uninstall the fan and DO NOT return fan to retailer.

1.	<u>Ceiling fan is not installed to a solid-state wall controller.</u> Neither leading nor lagging edge controllers will give satisfactory performance. Wall controllers must only be types approved for use by Hunter Pacific International.
2.	The fan, optional fan light and bracket is earthed.
3.	Fan and optional fan light are run from the same final circuit.
4.	Mounting bracket must be firmly secured to a solid structure such as a concrete ceiling, steel structure or timber framing. If additional bracing is added it must be firmly secured to the rafters and not left floating on the ceiling. Special mounts, such as T-hooks, are available for certain types of installation.
5.	Fan blades are at least 2.1m (7feet) above floor level.
6.	Check the fan is operating correctly on all three speeds using the wall controller.
7.	<u>If light is installed.</u> Check light switch is functioning properly.
8.	<u>If remote control is installed.</u> Check the fan (and light if installed) is responding to the remote control correctly.
9.	<u>If remote control is installed.</u> Check where possible a separate isolation switch has been installed for the fan.
10.	Check electrician's details have been recorded onto the back page of the Owner's Operations and Warranty Manual.



- Do not** attempt to operate the fan (or optional light kit) with any wall control that is not approved by Hunter Pacific for use with its fans. DO NOT use solid state controllers. The use of unapproved controllers will void your warranty.
- Do not** mix blade sets from one fan to another as this may upset the balance of the fan. If only one blade is damaged you are still required to replace with a new set.