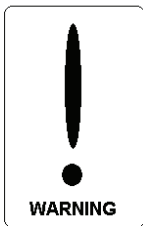
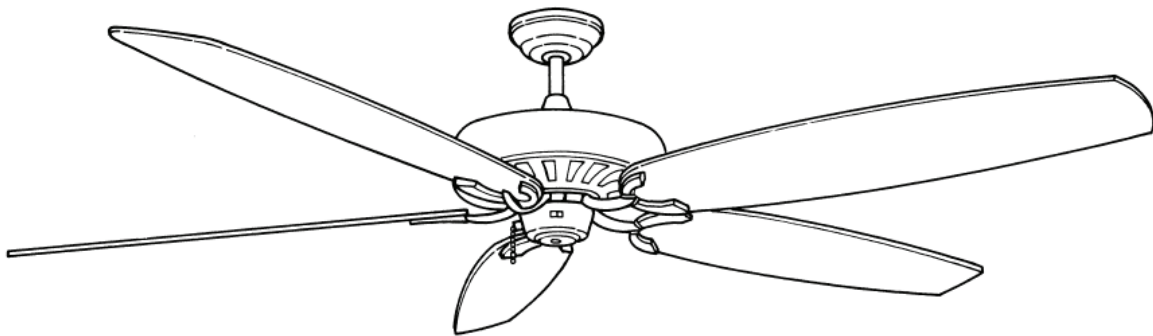




# Electrician Installation Manual

Majestic Magnum Ceiling Fan

# Majestic Magnum



## **CEILING FAN MUST BE INSTALLED BY A LICENSED ELECTRICIAN**

(NO OTHER PERSONS SHOULD ATTEMPT TO INSTALL THIS FAN)

\*After installation, electricians must tick off all items on the quick checklist and fill out their details onto the back page of the Fan Owner Warranty & Operations Manual

**ELECTRICIANS - TO PROTECT YOUR CUSTOMER'S WARRANTY, PLEASE READ  
PAGE 2 OF THIS BOOKLET PRIOR TO THE INSTALLATION OF THIS PRODUCT.**

## **National Warranty Line**

# **1300 360 280**

Monday to Friday from 9am to 5pm EST  
Only available within Australia

*Hunter Pacific International Pty Ltd, Building 8, 256 New Line Road, Dural NSW 2158 Australia  
ABN :18 063 521 666*



# Electrician Installation Manual

Majestic Magnum Ceiling Fan

## **IMPORTANT INFORMATION** **ELECTRICIANS MUST READ PRIOR TO INSTALLATION**

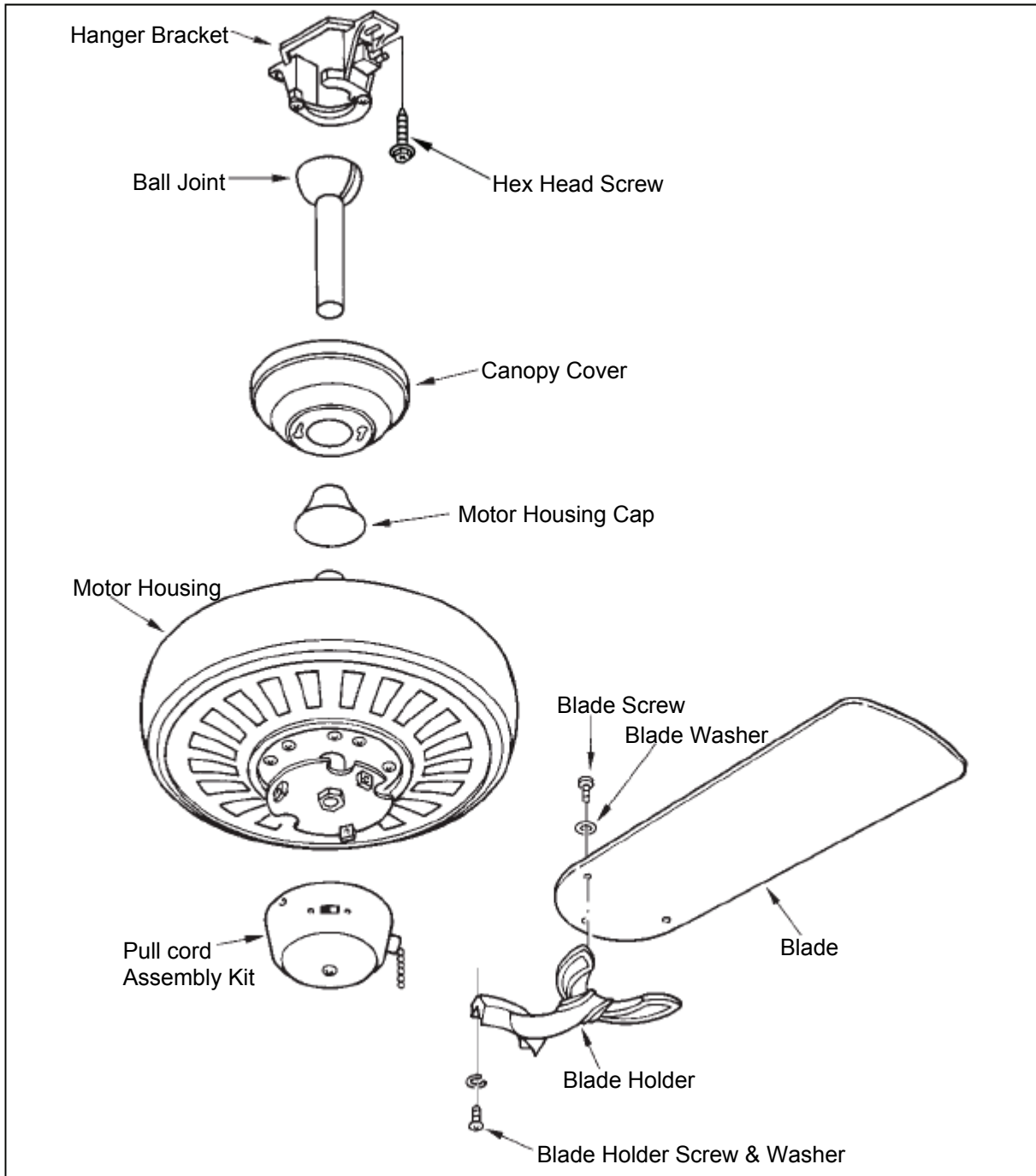
1. Distributor and installer details and purchase receipts are essential for on-site warranty claims and must be presented to repair personnel, make sure you record your details in the Fan Owner Warranty and Operations Manual.
2. Fans and fixed wiring products must only be installed by persons who are appropriately licensed by the applicable State regulatory body. Therefore, to protect our repair personnel, on-site warranty claims will not be accepted if products have been installed by unlicensed persons.
3. Damage caused by incorrect installation, force-majeure, electrical surges, lightning, power grid fluctuations, water or by connection to alternative power supply sources (such as solar inverters, etc.) is not eligible for warranty repair.
4. Blades must be replaced only as a complete set. Blades are supplied only as a pre-balanced set and the replacement of individual blades may void the warranty by causing mechanical damage to the motor, excessive noise or premature wear.
5. When products are installed in a location requiring special access equipment (such as scaffolding or scissor lifts, etc) the cost of providing, installing and operating special access equipment must be borne by the site owner.

**For safety, and to protect your customers warranty, the following must be taken into account when installing and operating the product(s):**

- |  |
|--|
| <ol style="list-style-type: none"><li>(a) <u>DO NOT USE SOLID-STATE WALL CONTROLLERS.</u> Neither leading nor lagging edge controllers will give satisfactory performance. Wall controls must only be types approved for use by Hunter Pacific International.</li><li>(b) The fan, light and bracket must be earthed.</li><li>(c) Fan and light must be run from the same phase and preferably the same final circuit.</li><li>(d) Mounting bracket must be firmly screwed to a solid structure such as a concrete ceiling, steel structure or timber framing. If additional bracing is added it must be firmly secured to the rafters and not left floating on the ceiling. Special mounts, such as T-hooks, are available for certain types of installation.</li><li>(e) After installation, fan blades must be at least 2.1 m (7 feet) above floor level.</li><li>(f) The use of these products by children and the infirm must be under supervision.</li></ol> |
|--|

**IF THERE ARE ANY PROBLEMS WITH THE PRODUCT AT TIME OF  
INSTALLATION THE INSTALLER MUST CONTACT THE WARRANTY  
HOT LINE NUMBER **1300 360 280.** BEFORE LEAVING THE JOB  
SITE. PLEASE DO NOT REMOVE THE FAN FROM THE CEILING  
ONCE INSTALLED UNLESS INSTRUCTED TO DO SO.**

## Parts List - Majestic Magnum



Please refer to the next page for the Majestic Magnum Parts List.



# Electrician Installation Manual

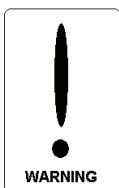
Majestic Magnum Ceiling Fan

## IMPORTANT INFORMATION

The table below contains information that can help you quickly identify the product you are installing. If you have any difficulties installing our product, we recommend you to call our warranty line on 1300 360 280 for advice.

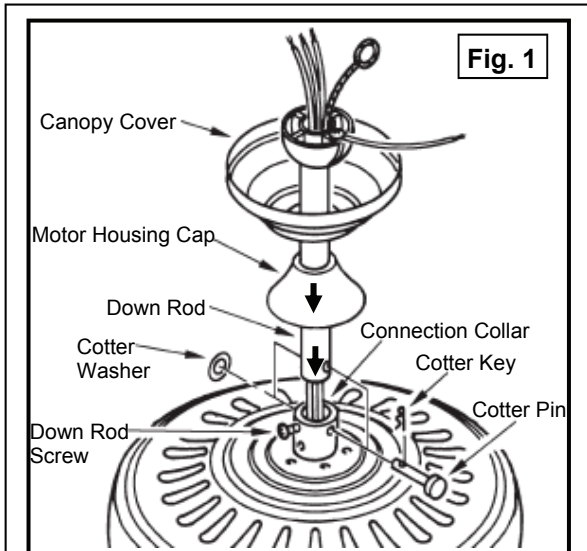
<u>CODE</u>	<u>SIZE</u>	<u>FAN MODEL NAME</u>	<u>COLOUR</u>
851	183cm, (72")	Majestic Magnum	White Motor, White Blades
852	183cm, (72")	Majestic Magnum	Brushed Chrome Motor, Brushed Chrome or Beech Blades
853	183cm, (72")	Majestic Magnum	Burnt Copper Motor, Walnut or Rosewood Blades
857	183cm, (72")	Majestic Magnum	Antique Brass Motor, Walnut or Rosewood Blades

<b>Majestic Magnum Parts List</b>					
<b>Part</b>	<b>Qty</b>	<b>Part</b>	<b>Qty</b>	<b>Part</b>	<b>Qty</b>
Blades	5	Canopy Cover Screws	2	Hex Head Screws	2
Blade Screws	15	Canopy Cover	1		
Blade Holders	5	Motor Housing	1		
Blade Holders Screws	10	Motor Housing Cap	1		
Blade Holders Washers	10	Hanger Bracket	1		
Ball Joint	1	15cm Down Rod	1	Down Rod Cotter Washer	1
Ball Joint Screw	1	Down Rod Cotter Pin	1	Down Rod Screws	2
Ball Joint Pin	1	Down Rod Cotter Key	1	(these parts come preassembled)	
Pull cord Assembly Kit	(comes preassembled - 1x pull cord assembly, 1x start up capacitor, 1x speed capacitor, 1x pull chain, 3x screws and 2x lights wires).				



1. **Do not** attempt to operate the fan (or optional light kit) with any wall control that is not approved by Hunter Pacific for use with its fans. DO NOT use solid state controllers. The use of unapproved controllers will void your warranty.
2. **Do not** mix blade sets from one fan to another as this may upset the balance of the fan. If only one blade is damaged you are still required to replace with a new set.

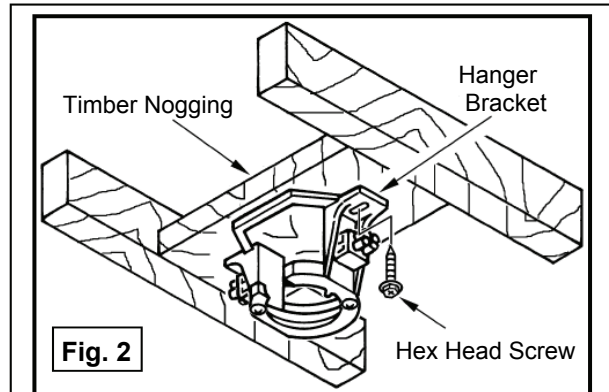
## Installation Instructions (Assembling the fan)



### STEP 1 (Fig. 1)

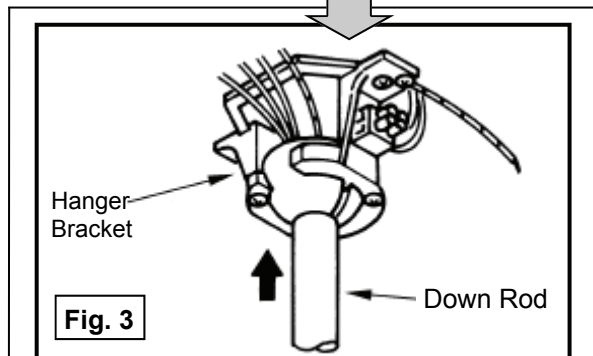
**ONLY PERFORM THIS STEP IF FAN WIRES HAVE NOT BEEN FED THROUGH THE ROD.**

- Loosen the ball joint screw and remove the ball joint pin to separate the down rod from the ball joint.
- Feed wires from motor housing up and through the down rod.
- Insert the cotter pin through the connection collar and the down rod (avoid pinching wires). Then lock the down rod using the cotter key and washer. Secure down rod with the two down rod screws provided.
- Slide on canopy cover and refit the ball joint.
- If an extension rod needs to be installed, please go to page 10.



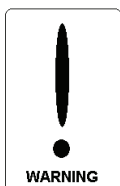
### STEP 2 (Fig. 2)

- Drill a hole in the timber nogging for wiring.
- Secure the hanger bracket onto the timber nogging, using the two hex head screws provided. The timber nogging should be supported by the installing electrician and must be supported between the two ceiling joists as shown in the diagram above.



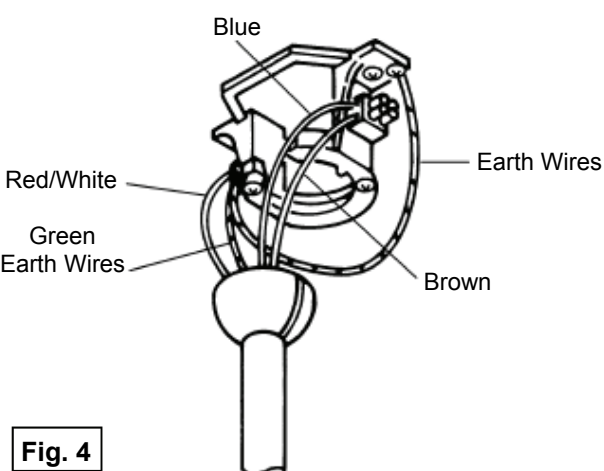
### STEP 3 (Fig. 3)

- Hang the ball joint into the hanger bracket. Ensure the groove on the hanger bracket is locked into the slot on the ball joint. (This is important to ensure the fan will not wobble and the weight of the fan is supported).



- Do not** attempt to operate the fan (or optional light kit) with any wall control that is not approved by Hunter Pacific for use with its fans. DO NOT use solid state controllers. The use of unapproved controllers will void your warranty.
- Do not** mix blade sets from one fan to another as this may upset the balance of the fan. If only one blade is damaged you are still required to replace with a new set.

## Installation Instructions (Assembling the fan)



**Fig. 4**

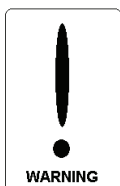
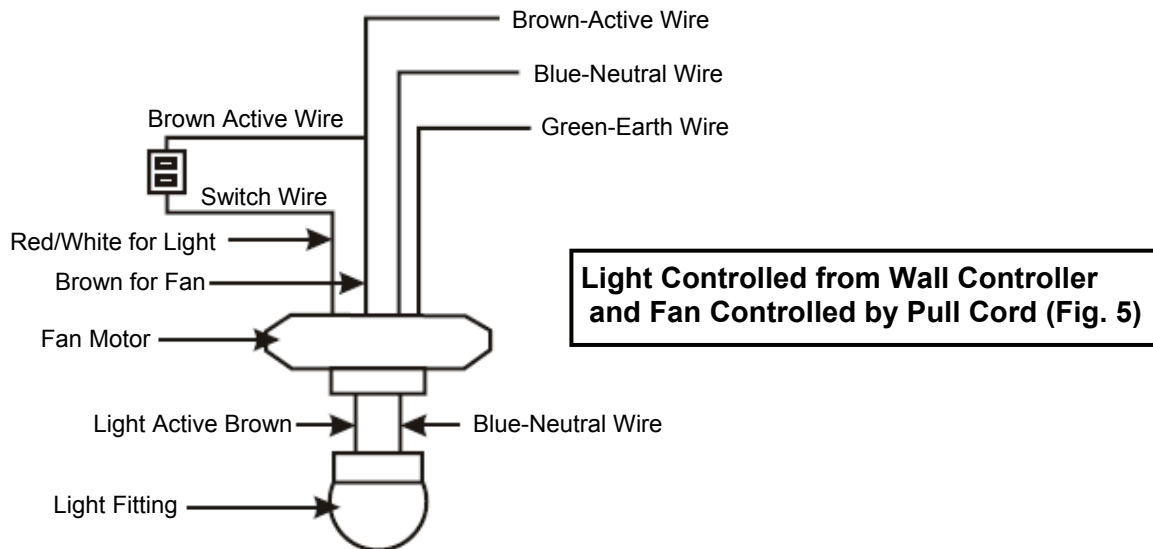
**STEP 4 (Fig 4 & 5)**

a) Connect wires from the fan with wires in the ceiling via the terminal block on the hanger bracket refer to figure 4 and 5.

b) Make sure earth wires are also connected.

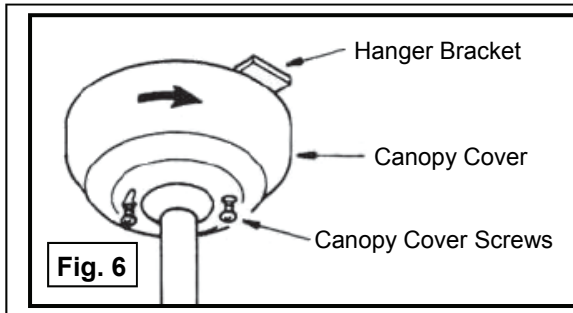
c) Connect light wires (red/white) if a light fitting is going to be used. (Cap seal light wires if a light fitting is not going to be used).

### Wiring Instructions (with and without accessory light)



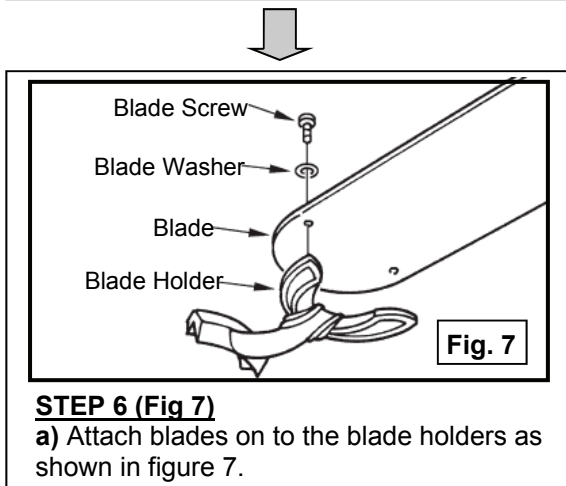
1. **Do not** attempt to operate the fan (or optional light kit) with any wall control that is not approved by Hunter Pacific for use with its fans. DO NOT use solid state controllers. The use of unapproved controllers will void your warranty.
2. **Do not** mix blade sets from one fan to another as this may upset the balance of the fan. If only one blade is damaged you are still required to replace with a new set.

## Installation Instructions (Assembling the fan)



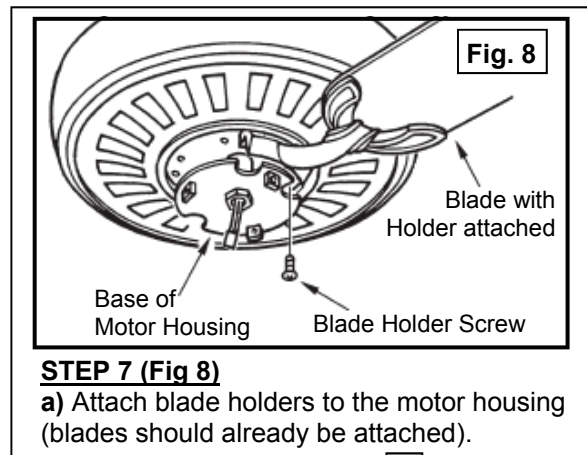
### STEP 5 (Fig 6)

- Slide canopy cover up and over the hanger bracket.
- Twist canopy cover as shown in diagram until the screws holes can be seen.
- Half loosen canopy cover screws.
- Now twist canopy cover in the opposite direction to the diagram and fully tighten the canopy covers screws, this will stabilise the canopy cover.



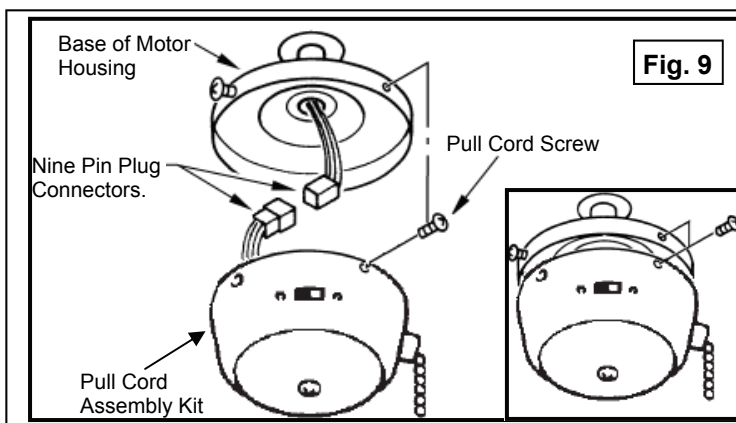
### STEP 6 (Fig 7)

- Attach blades on to the blade holders as shown in figure 7.



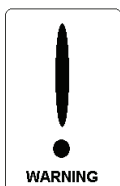
### STEP 7 (Fig 8)

- Attach blade holders to the motor housing (blades should already be attached).



### STEP 8 (Fig 9)

- Unscrew the pull cord screws to separate the pull cord assembly kit from the motor housing. **(If a light kit is to be installed go to page 8).**
- Make sure the two ends of the nine pin plug are connected together and the colours on the plugs are corresponding.
- Use pull cord screws to re-secure the pull cord assembly kit to the motor housing.
- Attach the pull cord handle to the pull cord chain.



- Do not** attempt to operate the fan (or optional light kit) with any wall control that is not approved by Hunter Pacific for use with its fans. DO NOT use solid state controllers. The use of unapproved controllers will void your warranty.
- Do not** mix blade sets from one fan to another as this may upset the balance of the fan. If only one blade is damaged you are still required to replace with a new set.

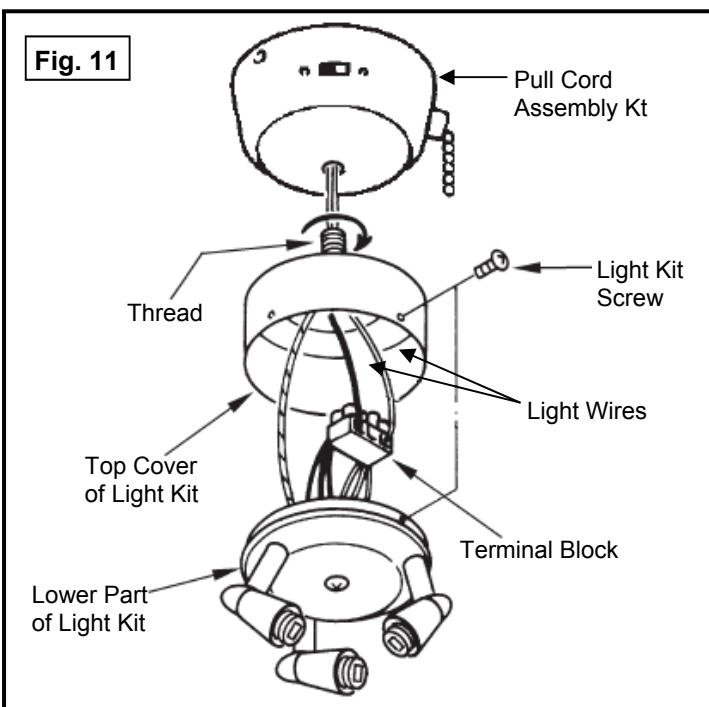
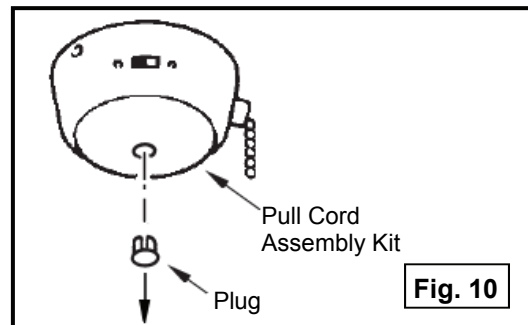


## Installation Instructions (Attaching an accessory light kit)

**NOTE:** These instructions follow from step 8a of the 'Assembling the Fan section' on page 7

### STEP 1 (Fig. 10)

a) Use your thumb to push out the plug in the pull cord assembly kit, see figure 10.



### STEP 2 (Fig. 11)

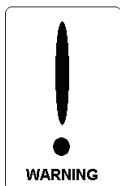
a) Loosen and remove the light kit screws to separate the top cover from the lower part of the light kit.

b) Feed light wires through thread and into the light kit.

c) Attach the light kit to pull cord assembly kit by tightening the thread clockwise as shown in figure 11.

d) Connect light wires to terminal block in lower part of the light kit.

e) Reattach lower part of the light kit to the top cover of the light kit using the three screws removed from step 2a).

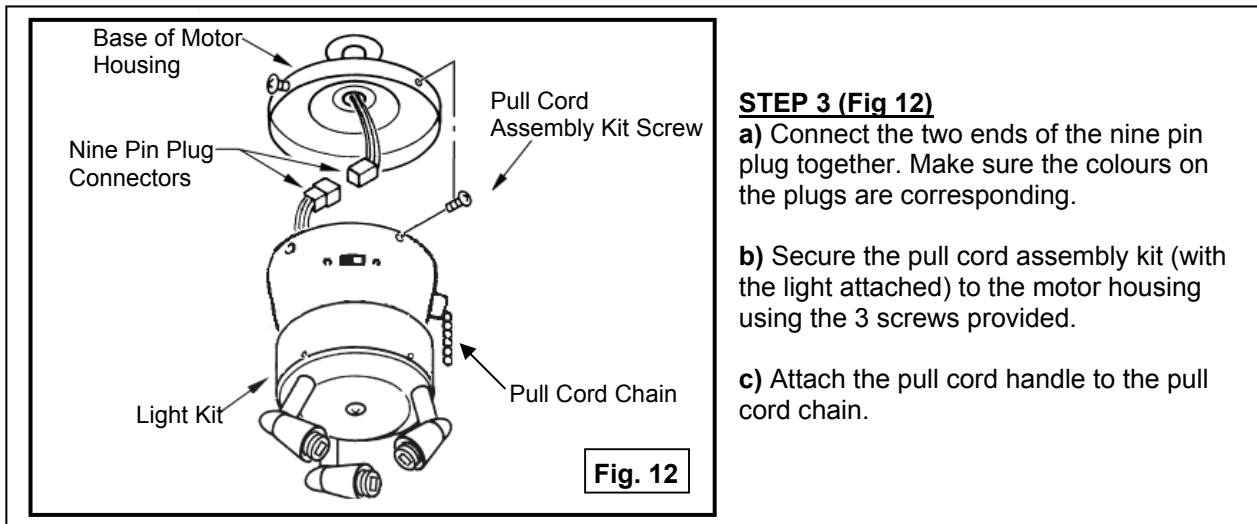


1. **Do not** attempt to operate the fan (or optional light kit) with any wall control that is not approved by Hunter Pacific for use with its fans. DO NOT use solid state controllers. The use of unapproved controllers will void your warranty.

2. **Do not** mix blade sets from one fan to another as this may upset the balance of the fan. If only one blade is damaged you are still required to replace with a new set.

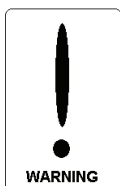


## Installation Instructions (Attaching an accessory light kit)



### Trouble Shooting Tips - Light

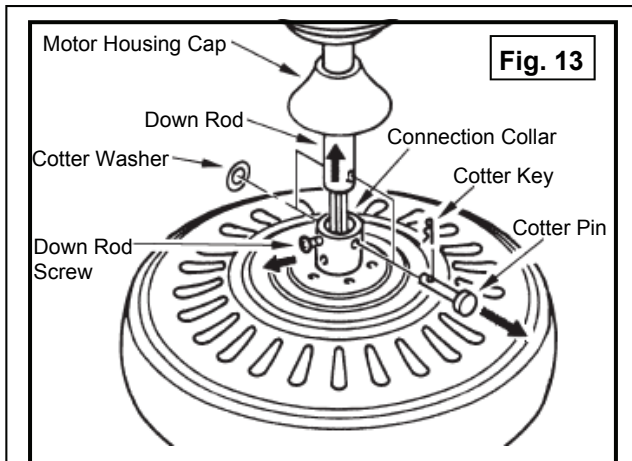
- **Light will not turn on** - Make sure globe has not blown and it is properly fitted between the metal prongs. Check all light wires in the light kit, the terminal block in the canopy cover and the wall switch has been connected together correctly.
- **Light is not corresponding to remote control** - Make sure globe has not blown and it is properly fitted between the metal prongs. Check all light wires in the light kit, the terminal block in the canopy cover and the wall switch has been connected together correctly. Check dip switch settings in remote hand piece and remote receiver are corresponding.
- **Light wires appear to be missing or too short** - Wires may be stuck in the motor housing. Carefully pull wires out of the motor housing, careful not to strip the wires as this may cause the fan to short.
- **Light flickers or flashes** - Check globe is secured between the metal prongs in the light kit. Make sure you are using the globes specified.



1. **Do not** attempt to operate the fan (or optional light kit) with any wall control that is not approved by Hunter Pacific for use with its fans. DO NOT use solid state controllers. The use of unapproved controllers will void your warranty.
2. **Do not** mix blade sets from one fan to another as this may upset the balance of the fan. If only one blade is damaged you are still required to replace with a new set.

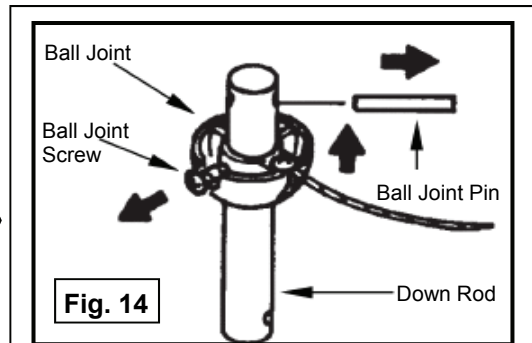
## Installation Instructions

(Attaching an extension rod - Hunter Pacific rods to be used ONLY)



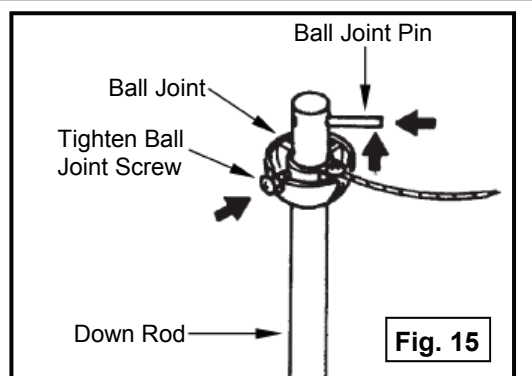
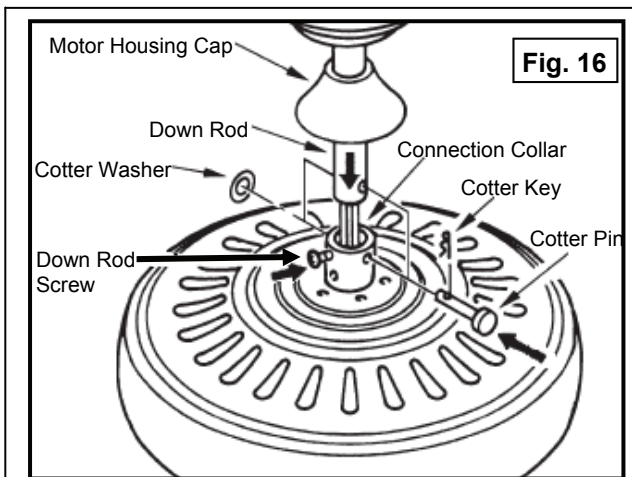
### Step 1) (Fig. 13)

Loosen the down rod screws and unlock and remove the cotter pin to remove the standard down rod from the motor housing.



### Step 2) (Fig. 14)

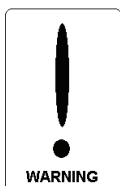
Loosen the ball joint screw, take out the ball joint pin and remove the ball joint. Then slide off the canopy cover.



### Step 3) (Fig. 15 & 16)

Now install the extension rod and reverse step 1 & 2 to secure the rod to the fan and the ball joint.

**NOTE:** If the extension rod needs to be shortened, cut the rod to the required length and drill the appropriate hole size to fit the ball joint pin. The cut end of the rod should be used on the ball joint end only. When installing a 1.8m extension rod the wiring will need to be extended and joined. This should be done using crimp style connectors.



1. **Do not** attempt to operate the fan (or optional light kit) with any wall control that is not approved by Hunter Pacific for use with its fans. DO NOT use solid state controllers. The use of unapproved controllers will void your warranty.
2. **Do not** mix blade sets from one fan to another as this may upset the balance of the fan. If only one blade is damaged you are still required to replace with a new set.



# Electrician Installation Manual

Majestic Magnum Ceiling Fan

## Trouble Shooting Tips - Fan

### Fan will not start

- Check that the reversing switch is pushed into its Summer or Winter position.
- Check wire connections in the wall switch and terminal blocks, ensure all wires are making proper contact.
- If it is a Typhoon fan, check and ensure the reversing switch plate under the switch cover is not bent, also check the 3 wires coming from the switch plate are straight. Occasionally the switch plate may get bent during transportation, this allows the switch cover to press against the plate and stop the fan from working.
- If it is a Typhoon fan, check the nine pin plug under the switch cover is properly connected and the colours on the plug are corresponding.
- If it is a Concept fan and it has an external start up capacitor, check that this external capacitor is properly connected.

### Fan speed is not corresponding to wall the controller

- Check the speeds on the wall controller has been wired correctly and are making proper contact. Brown = speed 1, Purple = speed 2, Red = speed 3.
- Check wires in the terminal block are connected properly, connection wires should be stripped back at the connection point and unused wires should be sealed and capped off.
- Check that the reversing switch is pushed into its Summer or Winter position.

### Fan is not corresponding to the remote control

- Check for flat battery. Make sure the dipswitch settings in the hand piece and the remote receiver for the same fan are corresponding.

### Fan is wobbling

- Check the ball joint slot is locked into the hanger bracket groove.
- Make sure blades are a matching set; the letters on matching sets of blades should be identical with the numbers varying within 3 grams of each other.
- Check blade screws are tightened firmly. If necessary use balancing kit provided to settle the wobble.

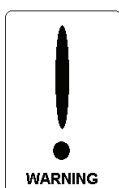
### Fan is noisy

- Check all screws and parts are secured firmly. Ensure there are no loose parts moving inside the motor housing.
- Make sure the fan is installed with a Hunter Pacific wall controller only, do not use solid state controllers as they can cause unpleasant motor noises.

## National Warranty Line 1300 360 280

Monday to Friday from 9am to 5pm EST

Only available within Australia



1. **Do not** attempt to operate the fan (or optional light kit) with any wall control that is not approved by Hunter Pacific for use with its fans. DO NOT use solid state controllers. The use of unapproved controllers will void your warranty.
2. **Do not** mix blade sets from one fan to another as this may upset the balance of the fan. If only one blade is damaged you are still required to replace with a new set.



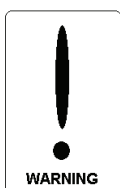
# Electrician Installation Manual

Majestic Magnum Ceiling Fan

## Quick Checklist

Electricians make sure everything on this checklist is ticked off before you leave the installation site. If you have trouble installing our product please refer to the trouble shooting section on the previous page first then phone the Hunter Pacific Warranty Line on 1300 360 280 (open 9am to 5pm EST). DO NOT uninstall the fan and DO NOT return fan to retailer.

1.	<u>Ceiling fan is not installed to a solid-state wall controller.</u> Neither leading nor lagging edge controllers will give satisfactory performance. Wall controllers must only be types approved for use by Hunter Pacific International.
2.	The fan, optional fan light and bracket is earthed.
3.	Fan and optional fan light are run from the same final circuit.
4.	Mounting bracket must be firmly secured to a solid structure such as a concrete ceiling, steel structure or timber framing. If additional bracing is added it must be firmly secured to the rafters and not left floating on the ceiling. Special mounts, such as T-hooks, are available for certain types of installation.
5.	Fan blades are at least 2.1m (7feet) above floor level.
6.	If fan is installed on a wall controller or a pull cord check the fan is operating correctly on all three speeds.
7.	<u>If light is installed.</u> Check light switch is functioning properly.
8.	<u>If remote control is installed.</u> Check the fan (and light if installed) is responding to the remote control correctly.
9.	<u>If remote control is installed.</u> Check where possible a separate isolation switch has been installed for the fan.
10.	Check electrician's details have been recorded onto the back page of the Owner's Operations and Warranty Manual.



1. **Do not** attempt to operate the fan (or optional light kit) with any wall control that is not approved by Hunter Pacific for use with its fans. **DO NOT** use solid state controllers. The use of unapproved controllers will void your warranty.
2. **Do not** mix blade sets from one fan to another as this may upset the balance of the fan. If only one blade is damaged you are still required to replace with a new set.